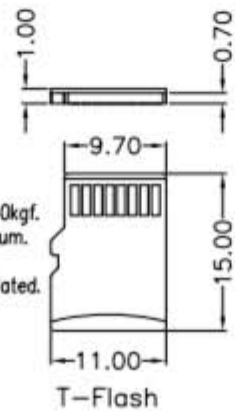
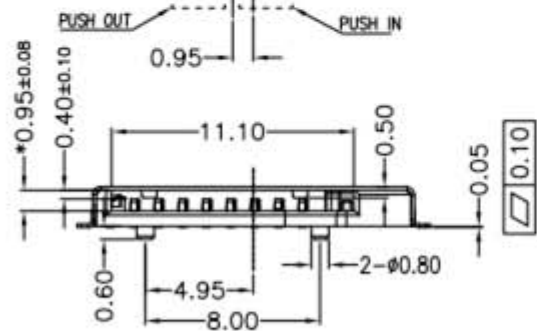
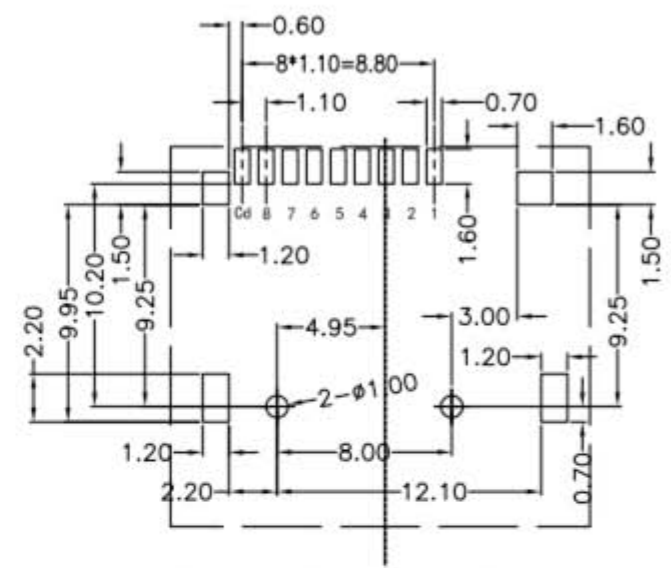
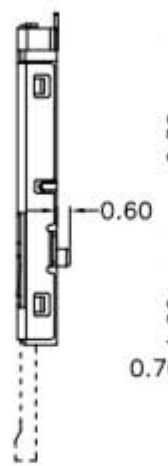
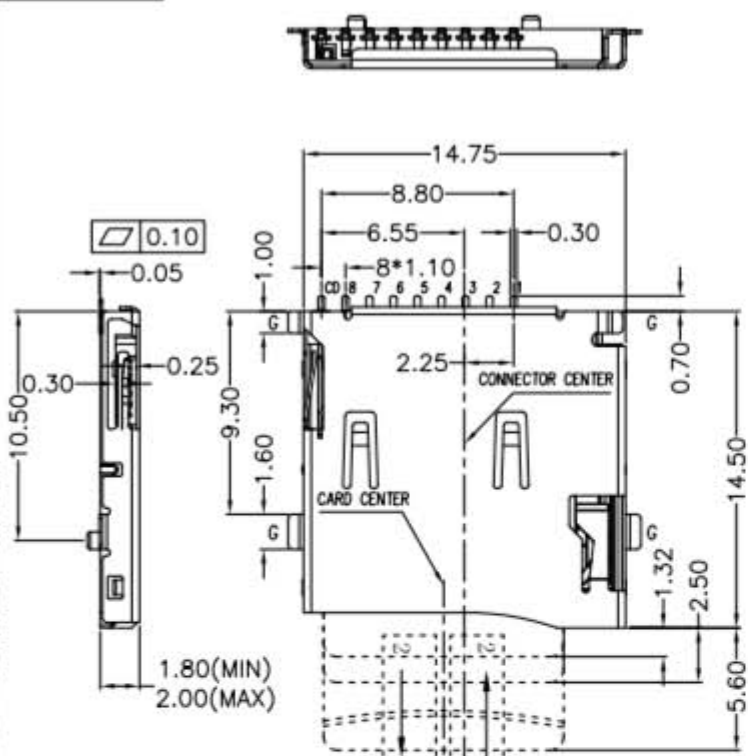


ROHS

REV.	ZONE	DESCRIPTION	DESIGN	DATE
A		新规制作		2016. 12. 19



PIN NO.	NAME	TYPE	DESCRIPTION
1	DAT2	I/O/PP	DATE LINE(BIT2)
2	CD/DAT3	I/O/PP	CARD DETECT DATE LIN(BIT3)
3	CMD	PP	COMMAND RESPONSE
4	VDD	S	SUPPLY VOLTAGE
5	CLX	I	CLOCK
6	VSS	S	SUPPLY VOLTAGE GROUND
7	DAT0	I/O/PP	DATE LINE(BIT0)
8	DAT1	I/O/PP	DATE LINE(DIT1)

RECOMMENDED P.C.B HOLE LAYOUT COMPONENT SIDE VIEW(TOLERANCE: +/-0.05)

Specification
 1.Electrical Characteristics:
 Contact Current Rating:0.5 Amperes.
 Dielectric Withstanding Voltage: AC500V r.m.s.
 Insulation Resistance:1000 MΩ Minimum.
 Contact Resistance: 40 mΩ Maximum.
 2.Environmental:
 Operating Temperature: -25℃~+90℃.
 3.Environmental:
 Mating Cycles: 5,000 Insertions.

4.Mechanical Characteristics:
 Card Push Insertion/Out Force:0.2~1.40kgf.
 Contact Separation Force:0.20kgf Minimum.
 5.Material:
 Insulator:HI-Temp Plastic UL 94V-0 Rated.
 Contact: Copper Alloy(t=0.15mm).
 Shell: Stainless Steel(t=0.15mm).
 Spring: SWP.

Unless otherwise specified tolerances are

X.	±0.25
X.X	±0.15
X.XX	±0.10
X.XXX	±0.05
X*	±2.0*
X.X*	±1.0*

RUICHI

DRAW NO.	2016121901	DATE	2016. 12. 19	DRAW NAME:	micro-SD SMD 9pin ejector
DWN	Wang lian	CHK			
APVD					



FINISH		UNIT	SCALE	WEIGHT	REV	SHEET
MATERIAL		mm	1:1		A	1 OF 1